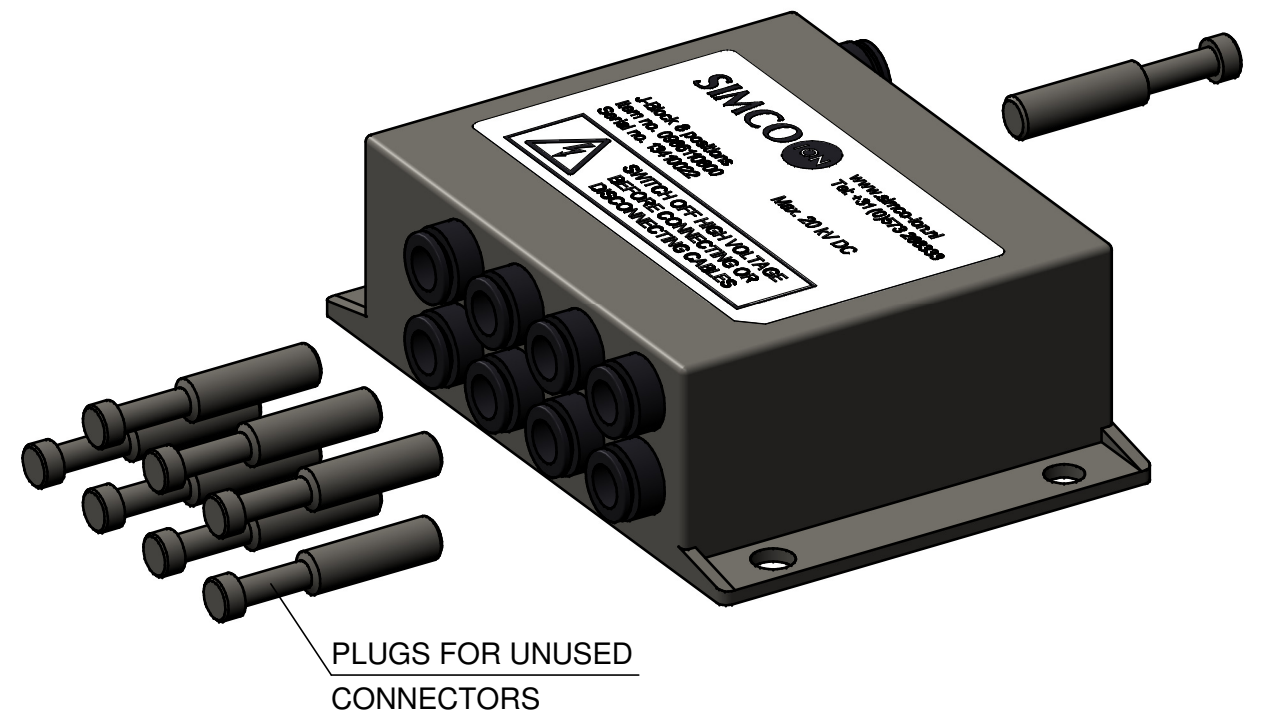
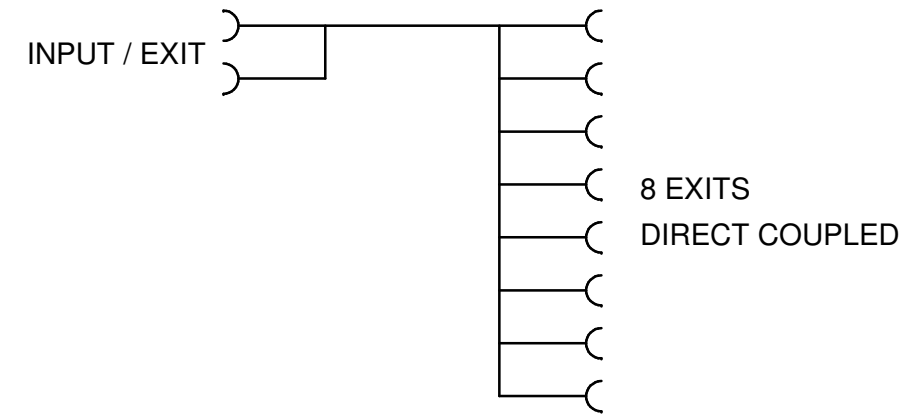


- Junction block only to be used with IML Spider components
- Maximum working voltage: 20 kV DC
- Overview IML Spider components: 09860010
- Plugs for unused connections included
- Mounting clamps for cables included
- All connections may be used as input and exit
- Cover the unused connections with the supplied plugs



 An ITW Company	Name: J-Block 8 positions						Drawn: AB	Part no.: 0986110800
	CAD generated NOT updated	Dimensions in mm	Date: 28-2-2013	A3	M: 1:1		ECN2017-013	Check: -
www.simco-ion.nl Tel: +31 (0)573 288333								Dwg. no.: 09860110/A