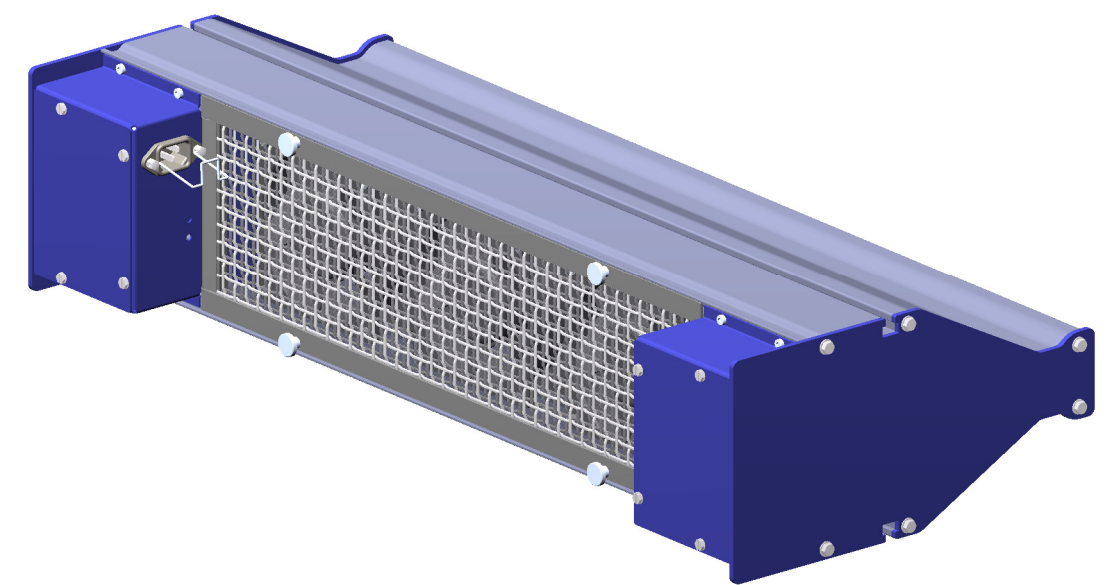


aluminium grate  
10 x 10 x 2 mm

open cell  
filter 30 ppi

knurled thumb  
screws M4 x 10



aluminium mounting  
strip (2x)



Filter set mounted at the back of the BlowION profiles.  
Knurled screws tightened hand tight.

The filter material must cover the complete air inlet opening.

EFFECTIVE LENGTH	ITEM NO.
520	0609100003
640	0609100004
840	0609100005
1000	0609100006
1160	0609100007
1320	0609100008
1480	0609100009
1640	0609100010
1800	0609100011
1960	0609100012

 An ITW Company www.simco-ion.nl Tel: +31 (0)573 288333	Name: <b>Filter set BlowION</b>				Drawn: AB	Part no.: <b>06091000xx</b>
	CAD generated NOT updated	Dimensions in mm	Date: 21-11-2005	A3 M: 1:2	 ECN2011-070	Check: -