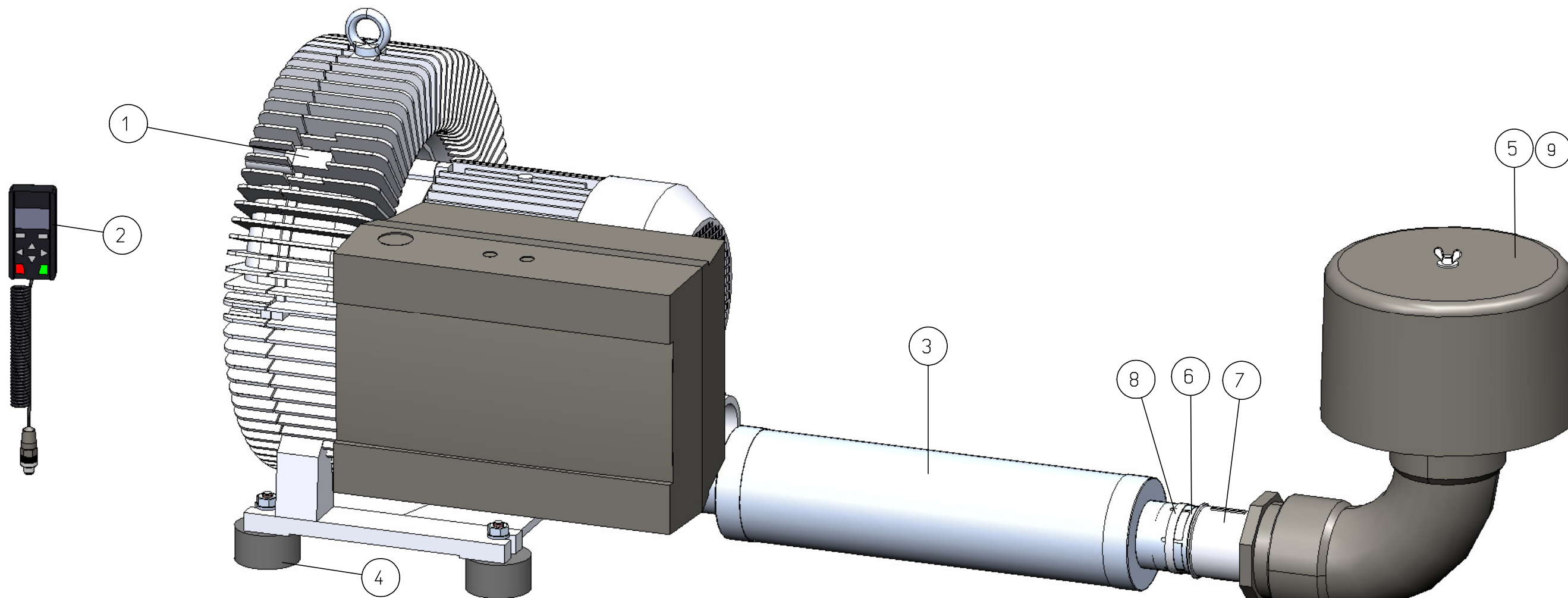
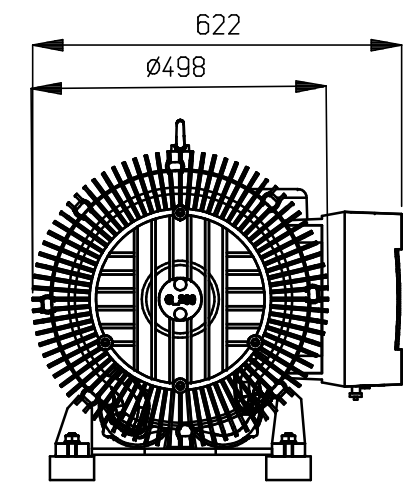
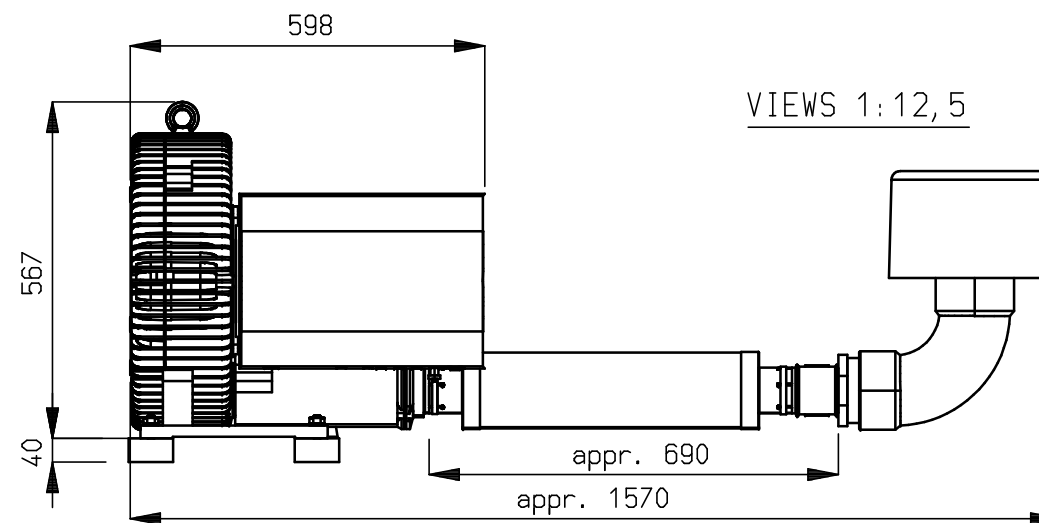


# Parts list

| No. | Qa. | Part No.   | Description                           | Dwg. No. |
|-----|-----|------------|---------------------------------------|----------|
| 1   | 1   | 6750290028 | Blower 12,9kW, IE2, 400V, built on FC |          |
| 2   | 1   | 6750299102 | Control-unit MMI handheld             |          |
| 3   | 1   | 6799225210 | Inline silencer                       |          |
| 4   | 1   | 6799225218 | Anti vibration feet (set)             |          |
| 5   | 1   | 6799143510 | Suction filter                        |          |
| 6   | 1   | 6799225209 | Nipple 2½''                           |          |
| 7   | 1   | 9290060154 | Socket female 2½''                    |          |
| 8   | 1   | 9146070200 | Hose clamp 65-85mm                    |          |
| 9   | 1   | 6799143560 | Filter element                        |          |



VIEW 1:5

Support filter  
when using silencer

NOTE: Sound pressure level 62 dB(A) at 50Hz  
 Sound pressure level 66 dB(A) at 60Hz  
 Sound pressure level 73 dB(A) at 86Hz  
 when using inlet silencer (8 dB(A))  
 measured at a distance of 1m, tolerance ± 3 dB(A)  
 Weight Blower: appr. 165 kg

| Roughness acc. to ISO 1302  | Dimensions tolerated acc. to ISO 129 | Tolerances of form and position acc. to ISO 1101 | Dimensions in mm. | -                    | -     | -                | -                  | -          | -                    |           |            |             |
|---|--------------------------------------|--|-------------------|----------------------|-------|------------------|--------------------|------------|----------------------|-----------|------------|-------------|
| <b>SIMCO ION</b><br>An ITW Company<br>www.simco-ion.nl Tel: +31 (0)573 288333 |                                      |  |                   | (XX)<br>Control dim. |       | Rev. Description |                    |            |                      | Chk.      | Date       |             |
|   |                                      |  |                   |                      |       | Range (mm)       | 0,5 - 3            | >3 - 6     | >6 - 30              | >30 - 120 | >120 - 315 | >315 - 1000 |
|   |                                      |  |                   | middle               | ±0,1  | ±0,1             | ±0,2               | ±0,3       | ±0,5                 | ±0,8      | ±1,2       | ±2          |
|   |                                      |  |                   | rough                | ±0,15 | ±0,2             | ±0,5               | ±0,8       | ±1,2                 | ±2        | ±3         | ±4          |
| Name: <b>Blower configuration 1830 +Suct.filter + Int.FC</b>                  |                                      |  |                   |                      |       |                  |                    | Drawn: BSG | Part no.: 1484183120 |           |            |             |
| CAD GENERATED NOT AUTOMATICALLY UPDATED                                       |                                      | Date: 10-6-2014                                  | M: 1:5            | A3                   | ⊕     | Check:           | Dwg. no.: 14841832 |            |                      |           |            |             |