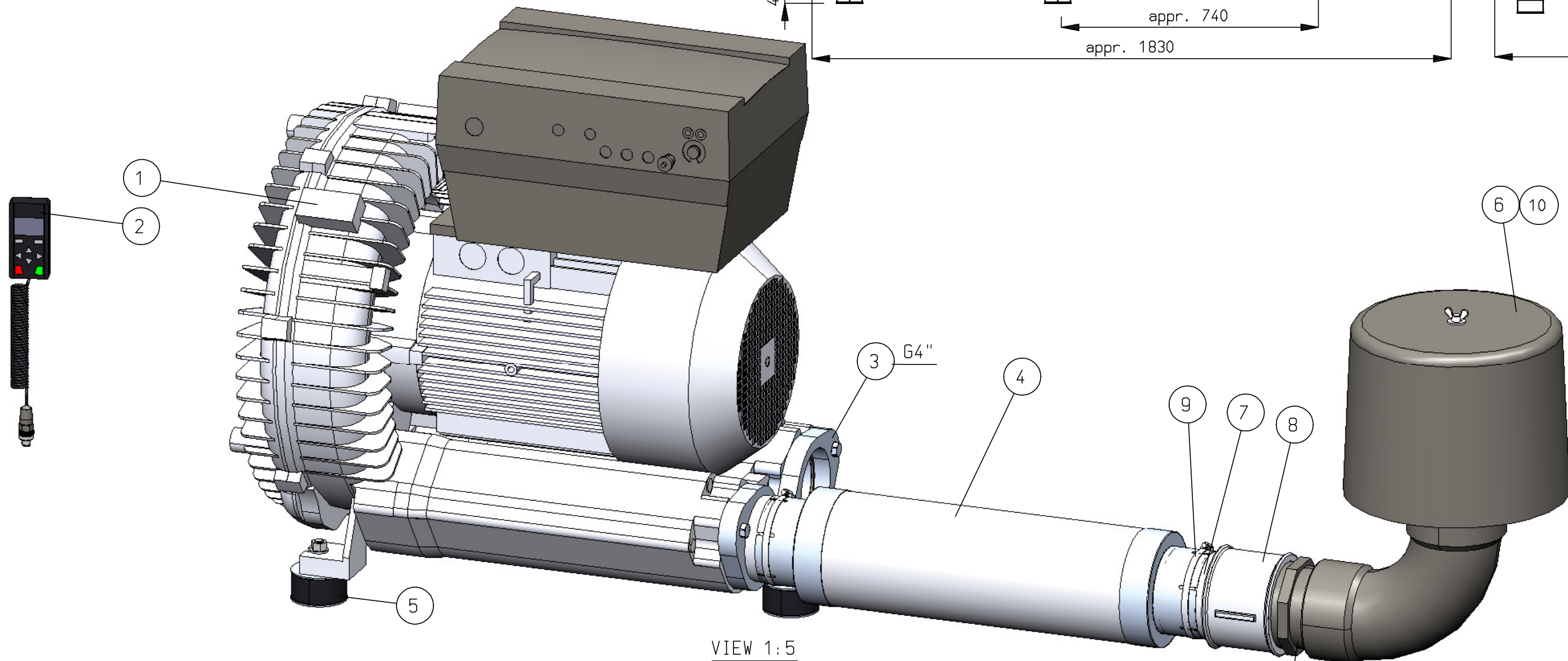
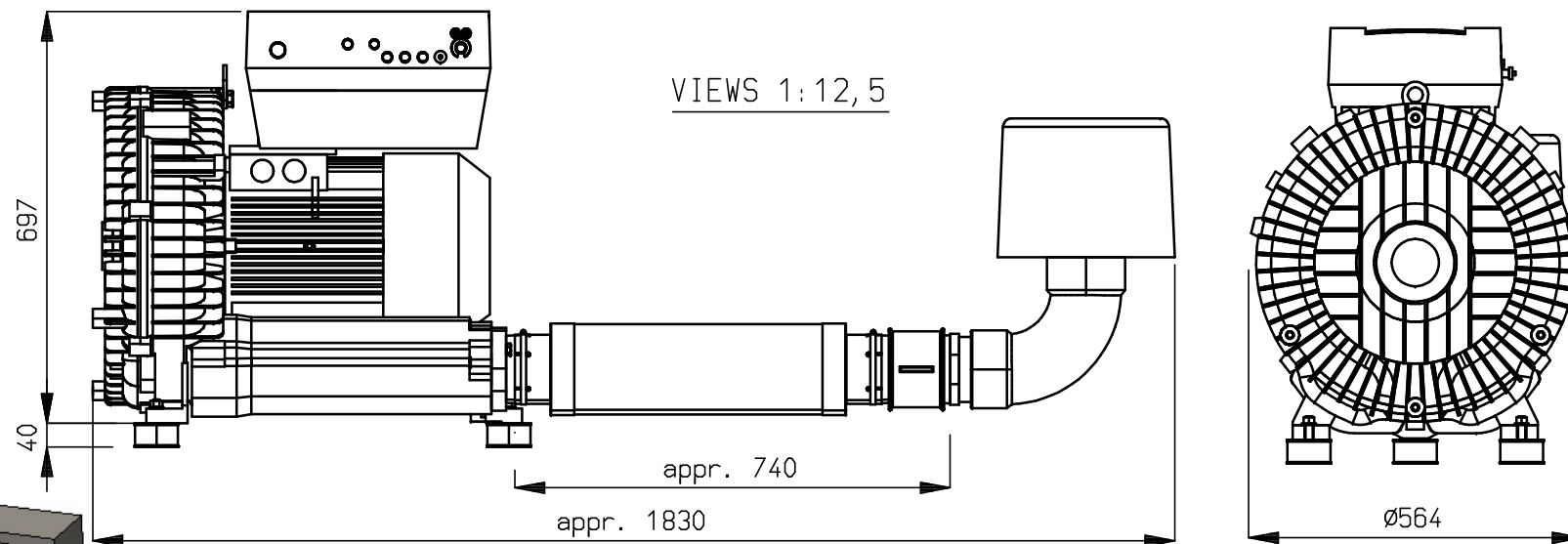


# Parts list

No.	Qa.	Part No.	Description	Dwg. No.
1	1	6750290030	Blower 22,6kW, IE2, 400V, built on FC	
2	1	6750299102	Control-unit MMI handheld	
3	1	6751990000	Threaded flange 4''	
4	1	6799225212	Inline silencer	
5	1	6799225219	Anti vibration feet (set)	
6	1	6799143500	Suction filter	
7	1	6799225208	Nipple 4''	
8	1	9290060156	Socket female 4''	-
9	1	9146070250	Hose clamp 104-138mm	
10	1	6799143550	Filter element	



Support filter when using silencer

NOTE: Sound pressure level 71 dB(A) at 50Hz  
 Sound pressure level 76 dB(A) at 60Hz  
 Sound pressure level 79 dB(A) at 70Hz  
 when using inlet silencer (3 dB(A))  
 measured at a distance of 1m, tolerance ± 3 dB(A)  
 Weight Blower: appr. 255 kg

Roughness acc. to ISO 1302	Dimensions tolerated acc. to ISO 129	Tolerances of form and position acc. to ISO 1101	Dimensions in mm.	-	-	-	-	-	-				
<b>SIMCO ION</b> An ITW Company www.simco-ion.nl Tel: +31 (0)573 288333			(XX) Control dim. Copyright © SIMCO (Nederland) BV		Rev. Description					Chk.	Date		
					Range (mm)	0,5 - 3	>3 - 6	>6 - 30	>30 - 120	>120 - 315	>315 - 1000	>1000 - 2000	>2000 - 4000
					middle	±0,1	±0,1	±0,2	±0,3	±0,5	±0,8	±1,2	±2
					rough	±0,15	±0,2	±0,5	±0,8	±1,2	±2	±3	±4
Name: <b>Blower configuration 1900 +Suct.filter +Int. FC 22,6kW</b>					Drawn: BSG		Part no.: 1484190120						
CAD GENERATED NOT AUTOMATICALLY UPDATED		Date: 3-6-2014	M: 15	A3	Check:		Dwg. no.: 14841902						