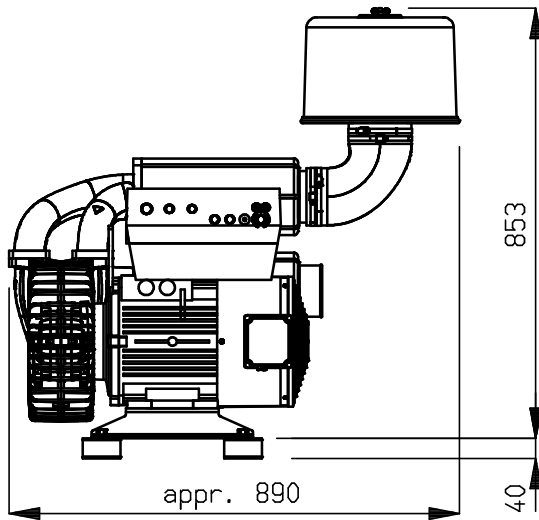
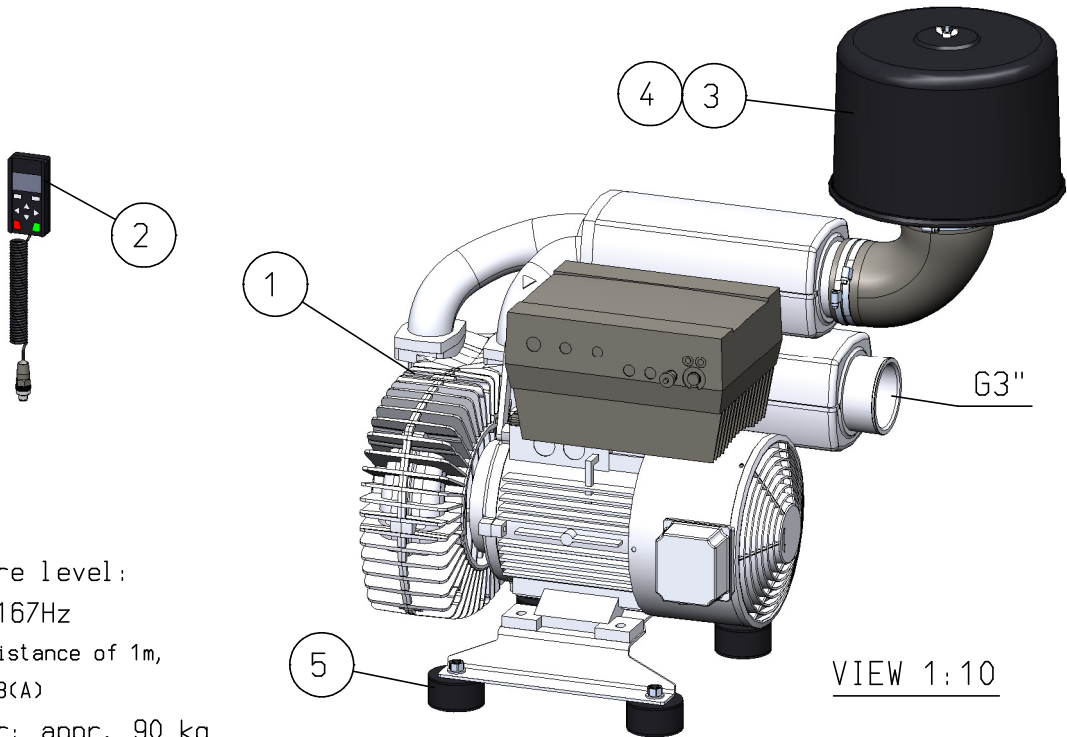
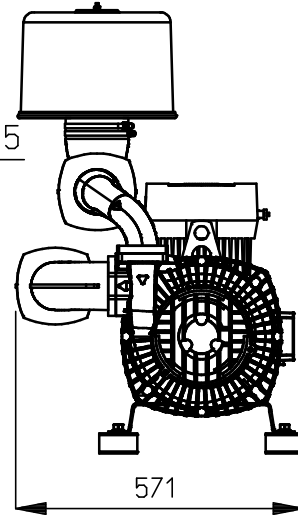


# Parts list

No.	Qa.	Part No.	Description	Dwg. No.
1	1	6750190056	Blower 9,2kW, 400V, built on FC	
2	1	6750299102	Control-unit MMI handheld	
3	1	6799143480	Suction filter	
4	1	6799143535	Filter element	
5	1	6799225220	Anti vibration feet (set)	





VIEWS 1:15



VIEW 1:10

Sound pressure level :  
77 dB(A) at 167Hz  
measured at a distance of 1m,  
tolerance  $\pm 3$  dB(A)  
Weight Blower: appr. 90 kg

Roughness acc. to ISO 1302	Dimensions tolerated acc. to ISO 129	Tolerances of form and position acc. to ISO 1101	Dimensions in mm.	-	-	-	-	-	-							
 <p>An ITW Company</p> <p>www.simco-ion.nl Tel: +31 (0)573 288333</p>				(XX) Control dim.		Rev. Description				Chk.	Date					
						Range [mm]	0,5 - 3	>3 - 6	>6 - 30	>30 - 120	>120 - 315	>315 - 1000	>1000 - 2000	>2000 - 4000		
				Copyright ©		SIMCO (NederLand) BV		middle	$\pm 0,1$	$\pm 0,1$	$\pm 0,2$	$\pm 0,3$	$\pm 0,5$	$\pm 0,8$	$\pm 1,2$	$\pm 2$
								rough	$\pm 0,15$	$\pm 0,2$	$\pm 0,5$	$\pm 0,8$	$\pm 1,2$	$\pm 2$	$\pm 3$	$\pm 4$
Name: Blower configuration 85100 +Suct.filter +Int.FC						Drawn: BSG		Part no.: 1484851110								
CAD GENERATED NOT AUTOMATICALLY UPDATED		Date: 5-6-2014		M: 1:10		A4				Check:		Dwg. no.: 14848511				