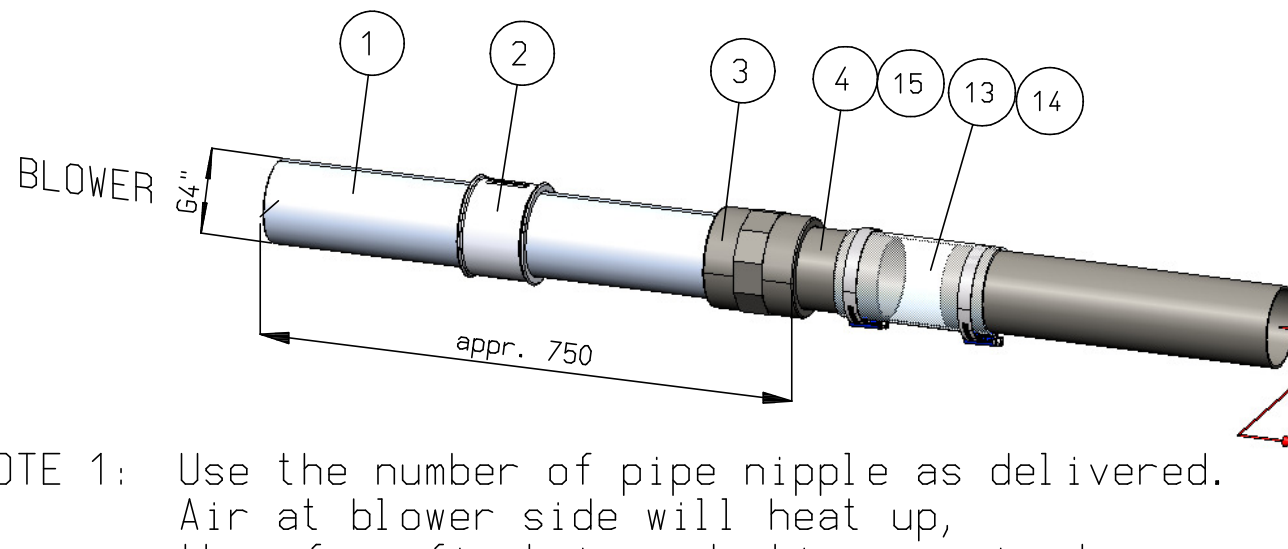


# Parts list

No.	Qa.	Part No.	Description	Dwg. No.
1	2	9299144006	Pipe nipple 4'' x 300mm	
2	1	9290060156	Socket female 4''	-
3	1	9290641040	Adaptor, socket PVC 110x4''	
4	5 m	9850414685	PVC tube $\varnothing 110 \times 3,3\text{mm}$	
5	4	9299111110	Bend 90°, with sockets 110mm	
6	3 (1)	9299080110	Socket, ID 110mm	
7	1	9299150110	T-piece 45°, ID 110 (PVC)	
8	1	9299102110	Bend 45°, with sockets 110mm	
9	2	9290201514	Reducer $\varnothing 110 \times \varnothing 75$ , PVC	
10	1 m	9850412227	PVC tube $\varnothing 75 \times 2,2\text{mm}$	
11	1,5 m	6703471075	Hose ID $\varnothing 75$	
12	5 (4)	9146075080	hose clip $\varnothing 80$ (left)	
13	0,3 m	6703471110	Hose $\varnothing 110\text{mm}$	
14	2	9146070250	Hose clamp 104-138mm	
15	1	9129900006	Glue (PVC) $\frac{1}{2}\text{L}$	

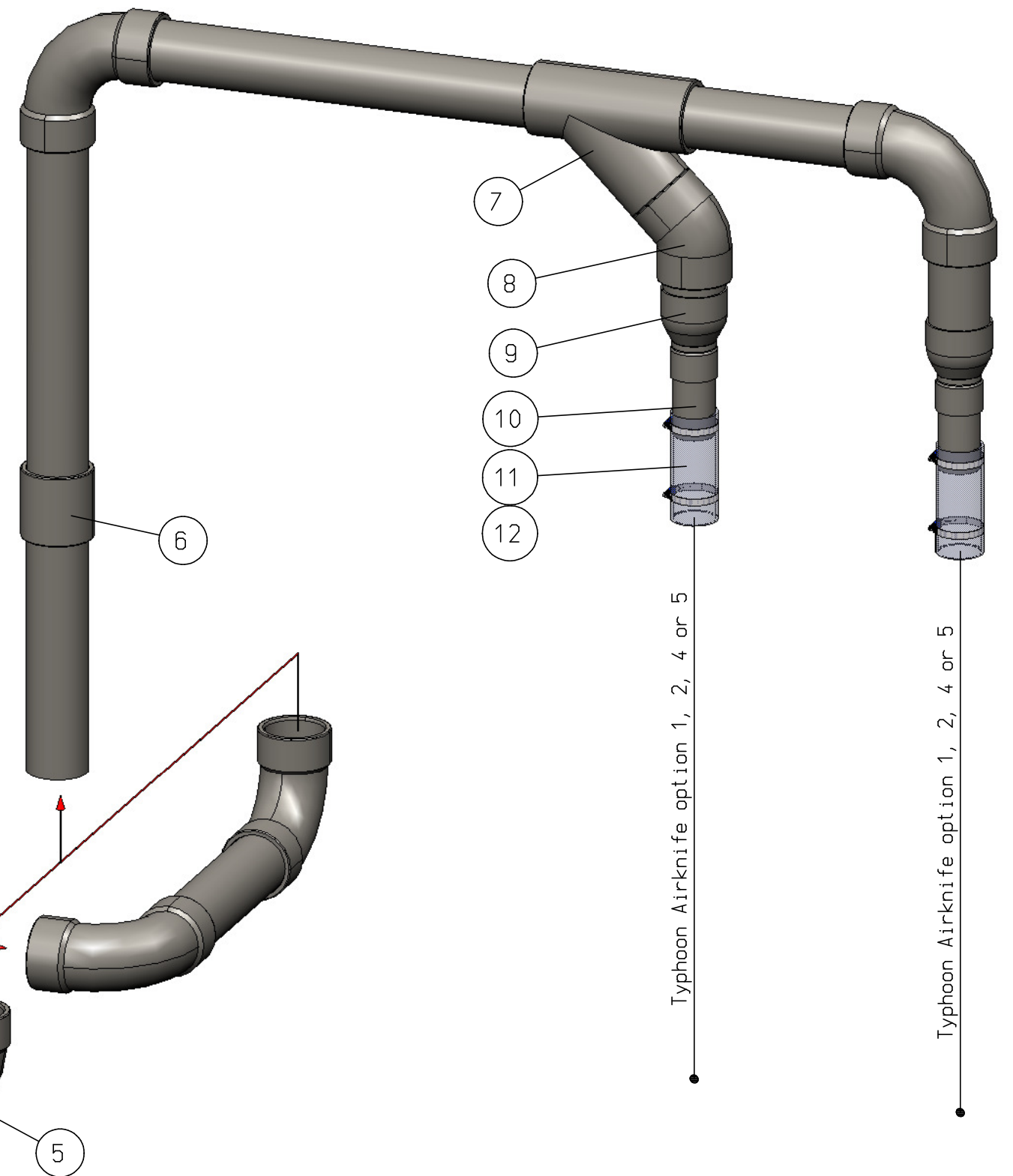
3 (1) means 3 delivered, 1 drawn

The items, shown in the part list, provides the shown connection possibilities



NOTE 1: Use the number of pipe nipple as delivered. Air at blower side will heat up, therefore first iron ducting required.

NOTE 2 : Keep the ducting as short as possible. Use minimal quantity of bend(s) and hose. Every bend, joint, connector or system accessory contributes a certain loss of pressure (friction of moving air)



Roughness acc. to ISO 1302	Dimensions tolerated acc. to ISO 129	Tolerances of form and position acc. to ISO 1101	Dimensions in mm.	-	-	-	-	-	-				
<b>SIMCO ION</b> An ITW Company www.simco-ion.nl Tel: +31 (0)573 288333			(XX) Control dim. Copyright © SIMCO (Nederland) BV		Rev. Description					Chk.	Date		
					Range (mm)	0,5 - 3	>3 - 6	>6 - 30	>30 - 120	>120 - 315	>315 - 1000	>1000 - 2000	>2000 - 4000
					middle	±0,1	±0,1	±0,2	±0,3	±0,5	±0,8	±1,2	±2
					rough	±0,15	±0,2	±0,5	±0,8	±1,2	±2	±3	±4
Name: Ducting configuration 4-150-4" (appr. 7,5m)					Drawn: BSG		Part no.: 1485441030						
CAD GENERATED NOT AUTOMATICALLY UPDATED		Date: 12-3-2013	M: 1:10	A3	Check:		Dwg. no.: 14854430						