



## External Control Units

### External Control Unit MPM

The Control Unit is used to set the ion balance of the anti-static equipment connected to the MPM. The remaining charge on the product to be discharged can be greatly reduced if the ion balance is set correctly. Using the Control Unit, the MPM can also be switched off and on remotely, and the HV On and HV Overload signals will be passed on through the MPM. The Control Unit can only be used in combination with a Multi Power Master fitted with remote control functions (MPM xxR).

### External Control Unit CMM Easy/CM Tiny

The Control Unit is used to regulate the high voltage of the CMM Easy or the CM Tiny, indicating the signals [Cycle OK] and [High Voltage On] and passing those signals on to a PLC. The generator can also be remotely switched on and off.

The Control Unit is available in three different types:

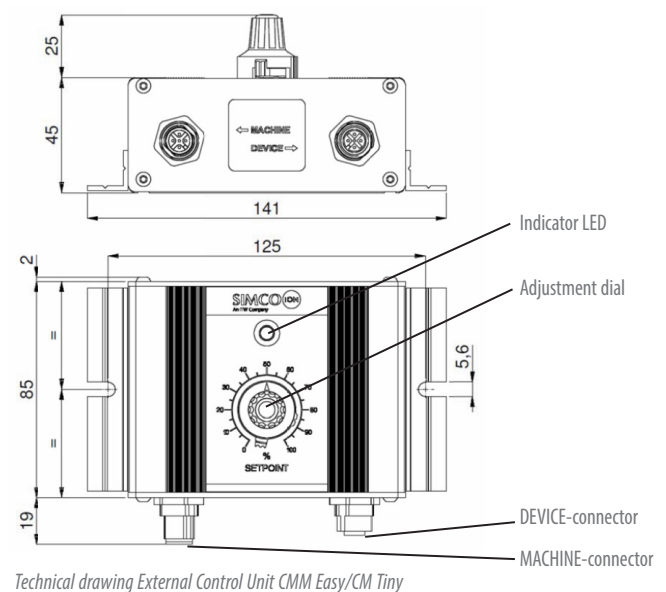
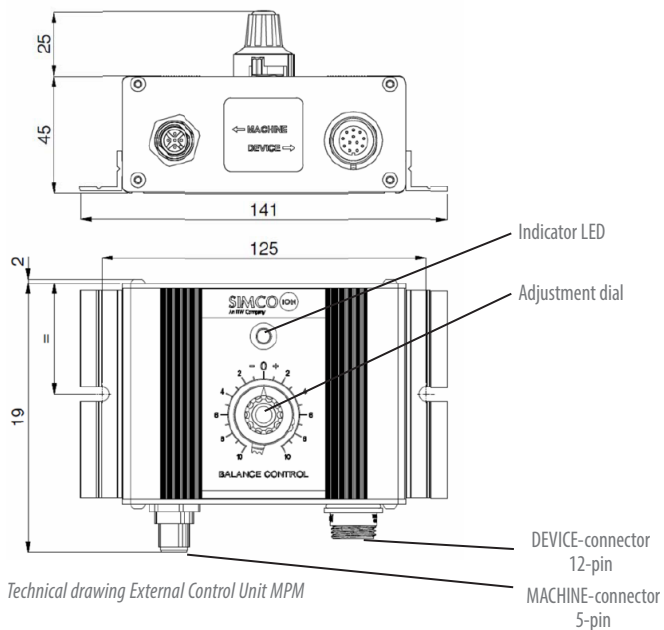
- with a setpoint regulated locally (dial on the Control Unit),
- for a setpoint 0-10V presented externally (no dial), or
- for a setpoint 0-24V presented externally (no dial)



## Technical specifications

External Control Unit MPM		
MACHINE-connector		
<b>Input</b>	High voltage On/Off	24 V DC, max. 20 mA
<b>Output</b>	Power supply (from MPM)	24 V DC, max. 100 mA
	Signal HV ON	24 V DC, max. 50 mA
	Signal HV Overload	24 V DC, max. 50 mA
<b>Connection</b>	M12-connector, 5-pin, male	
DEVICE-connector		
<b>Input</b>	Power supply (from MPM)	24 V DC, max. 100 mA
	Signal HV ON	24 V DC, max. 30 mA
	Signal HV Overload	24 V DC, max. 30 mA
<b>Output</b>	Ion balance	0-10 V DC
	High voltage On/Off	24 V DC, max. 20 mA
<b>Connection</b>	Bulgin Buccaneer 400 series, 12-pin, male	
Environment		
<b>Operating environment</b>	Industrial, operation inside	
<b>Temperature</b>	0 - 55°C	
<b>Installation</b>	Dust-free	
<b>Protection class</b>	IP 52	
Mechanical		
<b>Dimensions (lxwxh)</b>	106 x 141 x 70 mm	
<b>Weight</b>	0,35 kg	
<b>Casing material</b>	Aluminium	

External Control Unit CMM Easy/CM Tiny		
MACHINE-connector		
<b>Input</b>	Power supply	21 - 27 V DC
	Energy consumption	Max. 1 A (incl. CMM Easy/CM Tiny connected)
<b>Output</b>	High voltage On/Off	24 V DC, <5 mA
	Setpoint for type Extern Setpoint 0-10 V	0-10 V, <1 mA
	Setpoint for type Extern Setpoint 0-24 V	0-24 V, <1 mA
<b>Output</b>	CMM Easy: Cycle OK	24 V DC, max. 50 mA
	CM Tiny: Signal HV ON	24 V DC, max. 50 mA
<b>Connection</b>	M12 connector, 5 pin, male	
DEVICE-connector		
<b>Input</b>	Power supply	24 V DC, max. 1 A
<b>Output</b>	High voltage On/Off	24 V DC, <5 mA
	CMM Easy: Cycle OK	24 V DC, max. 50 mA
	CM Tiny: Signal HV ON	24 V DC, max. 50 mA
	Setpoint	4-20 mA
<b>Connection</b>	M12 connector, 5 pin, female	
Environment		
<b>Operating environment</b>	Industrial, operation inside	
<b>Temperature</b>	0 - 55°C	
<b>Installation</b>	Dust-free	
<b>Protection class</b>	IP 52	
Mechanical		
<b>Dimensions (lxwxh)</b>	106 x 141 x 70 mm	
<b>Weight</b>	0,35 kg	
<b>Casing material</b>	Aluminium	



**SIMCO ION**™

An ITW Company

ExternalControlUnits\_PS\_GB  
©Simco-ion – All rights reserved.  
Specifications are subject to change without notice.

**Simco-ion Netherlands**

Postbus 71  
Lochem, The Netherlands NL-7240 AB  
Tel: +31 (0)573 288333  
Fax: +31 (0)573 257319  
general@simco-ion.nl  
www.simco-ion.nl