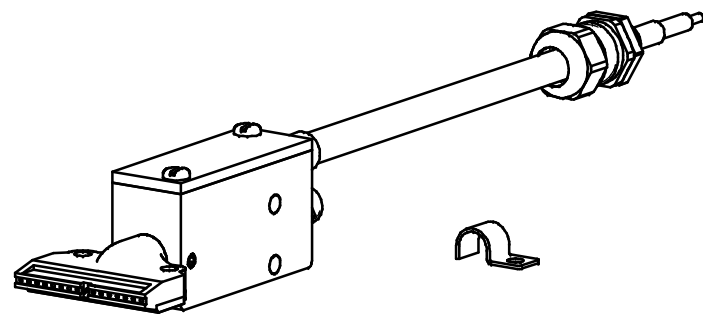


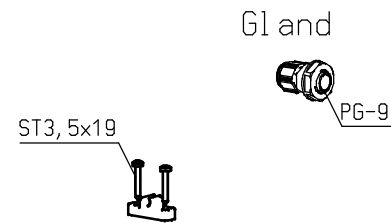
Cable exit option

Shielded coaxial cable

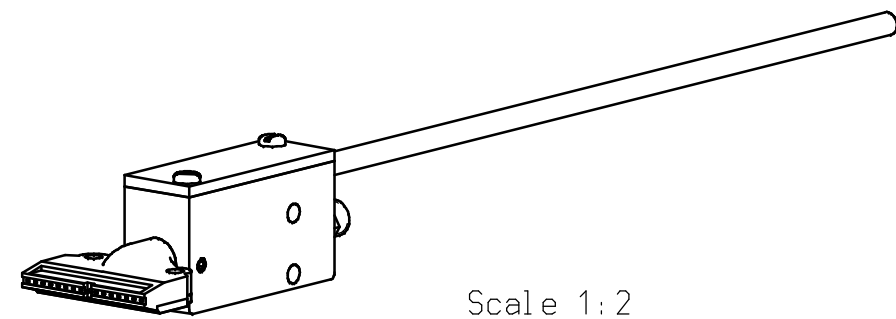


Metal cable clamps included with shielded cable

Mounting materials included



Amount of cable clamps =
 $(\text{cable length(m)} \times 4) - 1$
 (only with standard HV-cable)



 An ITW Company www.simco-ion.nl Tel: +31 (0)573 288333	Name: Ionising air nozzle type FLAT 2				Drawn: AB	Part no.: 161501xxxx
	CAD generated NOT updated	Dimensions in mm	Date: 29-07-2009	A3 M: 1:1	ECN2011-070	Check: -