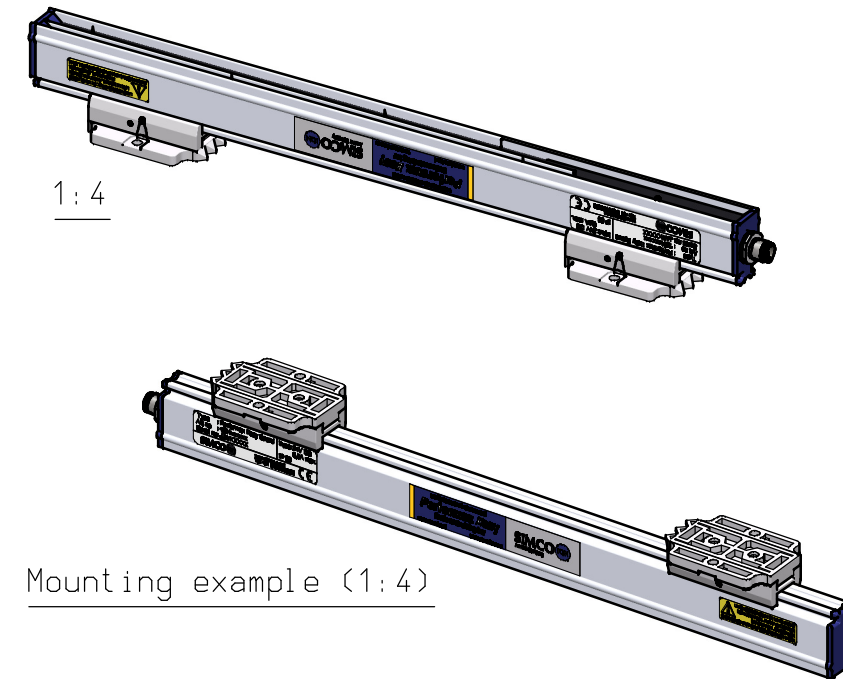
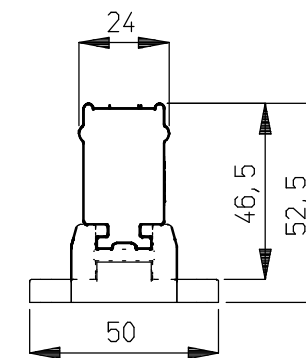
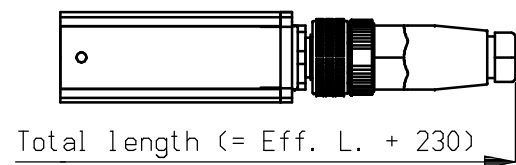


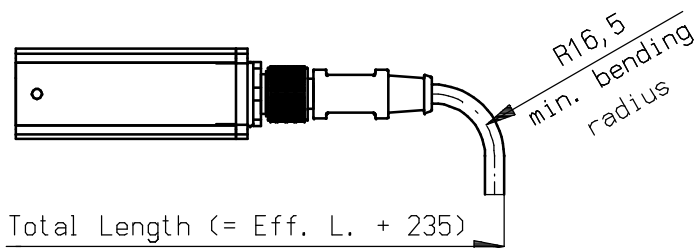
Brackets	
Tot. length	QTY
450 - 990	2
1170 - 1890	3
2070 - 2970	4
3150 - 3870	5



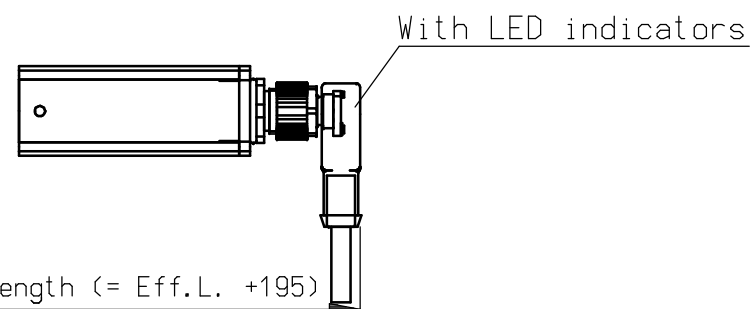
OPTIONAL CONNECTORS



Without cable - Part no. 7519020350
(with screw connection)



With 5 m cable - Part no. 7519020365



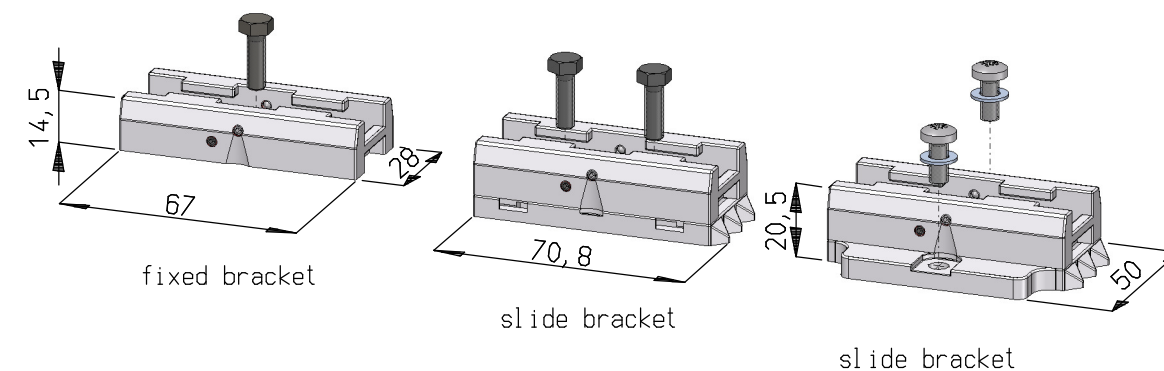
With 5 m cable - Part no. 7524020370
With 10 m cable - Part no. 7524020375

Total Length (= Eff. L. + 210)

Without cable - Part no. 7519020355
(with screw connection)

Mounting bracket bars - options

Part no. 4532000100



Name: **Performax Easy**

CAD generated
NOT updated

Dimensions
in mm

Date: 14-09-2009 A3 M: 1:2

ECN2015-023

Check: -

Drawn: MVN

Part no.: 1524--

Dwg. no.: 15240010/H