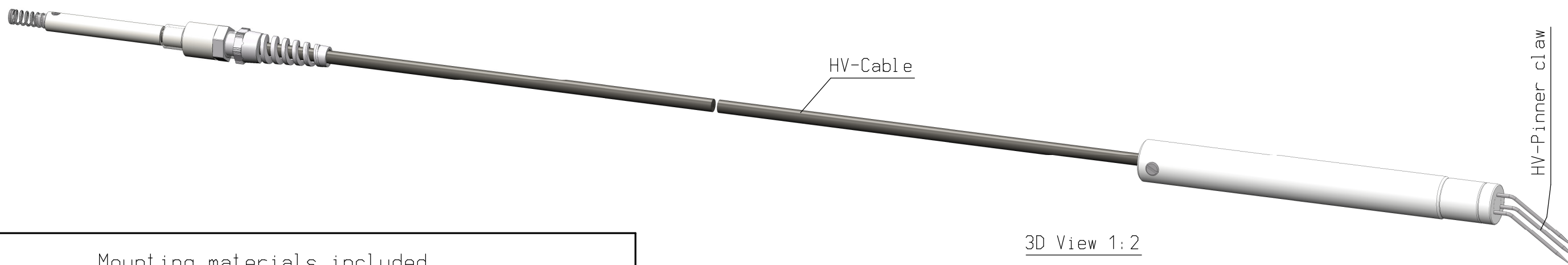
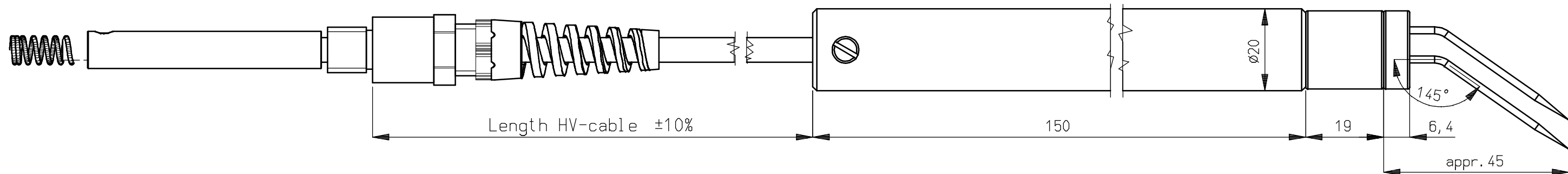
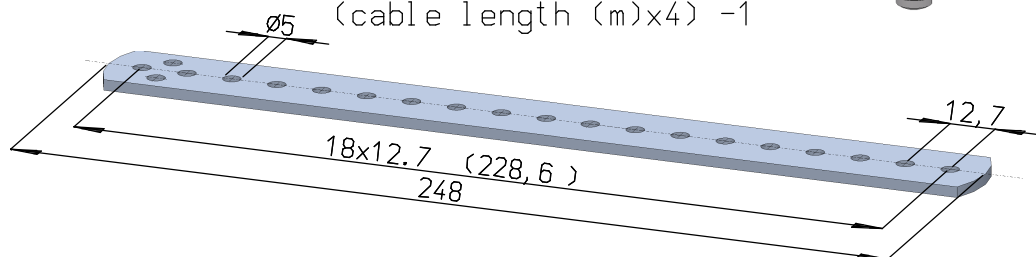
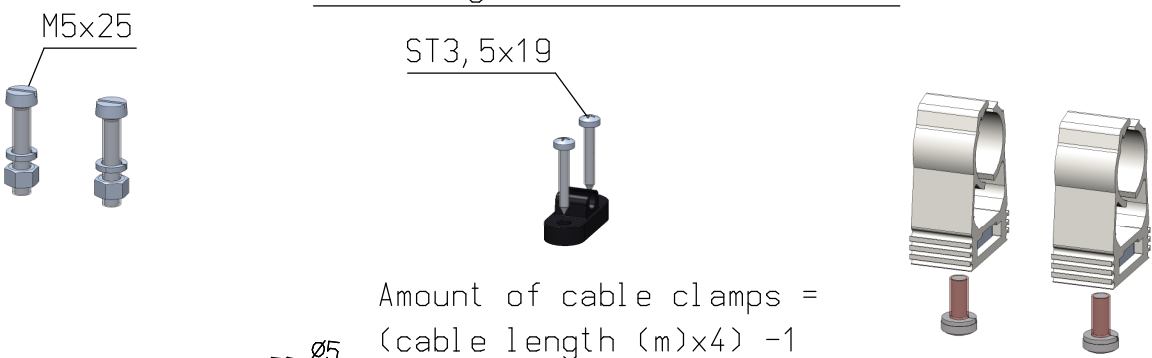


Length HV-cable 3 meters item no. 0927063003
 Length HV-cable 6 meters item no. 0927063006



Mounting materials included



Supply voltage max. 30 kV DC

		Name: Charging electrode Pinner Claw			Drawn: AB	Part no.: —
		CAD generated NOT updated	Dimensions in mm	Date: 9-5-2023	A3 M: 1:1	ECN-335