

1: DIN RAIL Power Supply  
100-240 V AC/24 V DC 10A  
P/N: 7519020435

2: DIN RAIL Power Supply  
100-240 V AC/24 V DC 4A  
P/N: 7519020425

3: DIN RAIL Power Supply  
100-240 V AC/24 V DC 3,3A  
UL LISTED  
P/N: 7519020430



24 V DC Power Connector Bar (6 pole)  
P/N: 6603060120

24 V DC Power Cable Bar 6 m  
P/N: 7510004600

24 V DC Power Cable Bar 12 m  
P/N: 7510004602

Optional  
Side Protection Guard  
P/N: 7510900010

AC Power Supply Cord 2 m  
(with C-13 Connector)  
Order separately  
P/N: 9146340620

Power Supply 100-240 V AC / 24 V DC  
(with 24 V DC Cable 1,8 m and Connector)  
P/N: 4510001010

Control Module ThunderION  
100-240 V AC / 24 V DC (4 Bar connections)  
(with 1,8 m AC Supply Cord)  
P/N: 4510001400

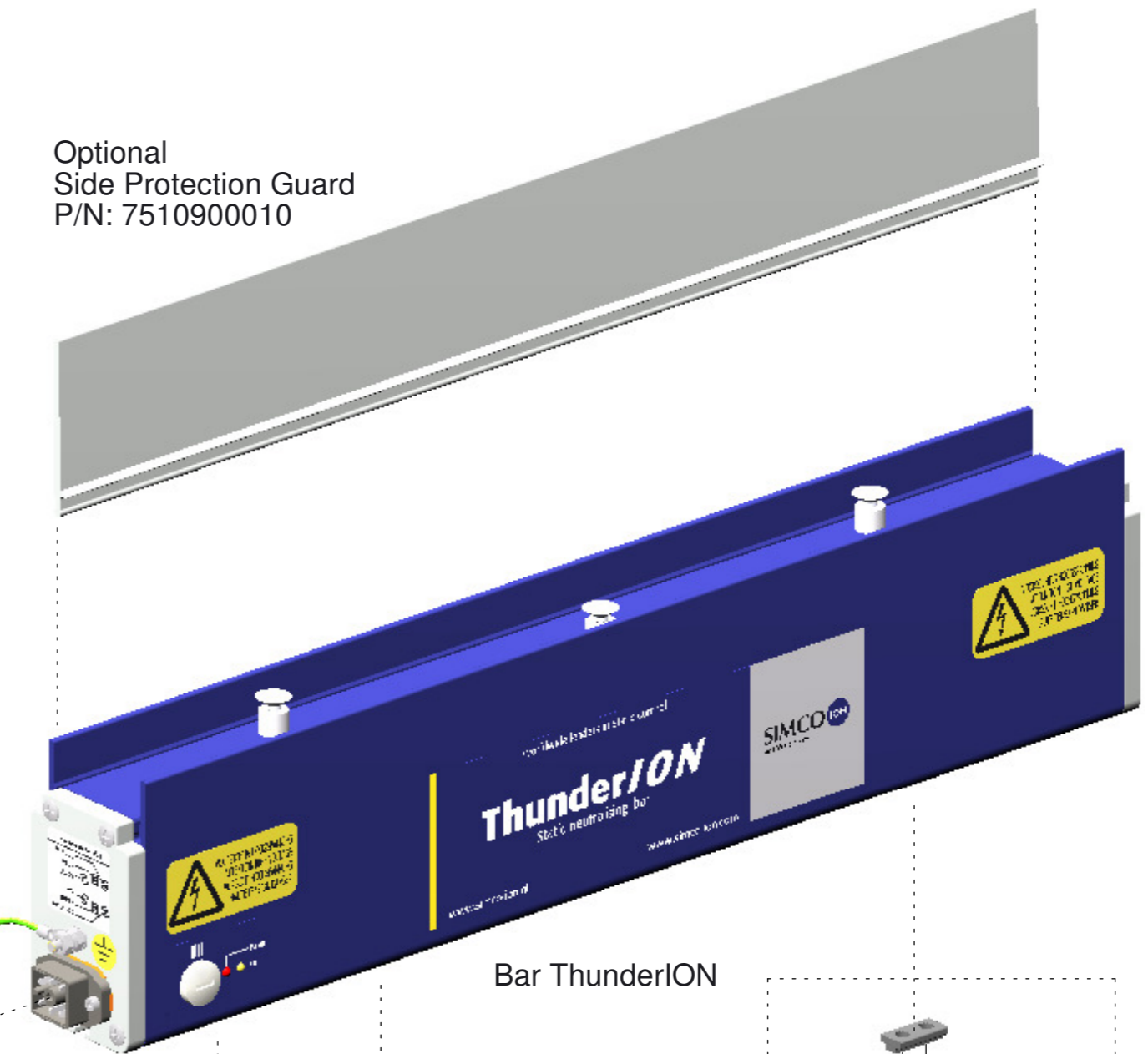
I/O Connector Control Module (12 pole)  
Standard delivered with Control Module  
P/N: 4510140130

Remote cable I/O connection, lenght:  
6 m P/N: 6807004160  
12 m P/N: 6807004161  
25 m P/N: 6807004162

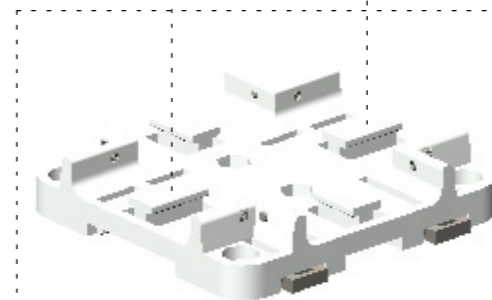
Connection Cable 6 m Control Module - Bar  
P/N: 7510014480

Connection Cable 12 m Control Module - Bar  
P/N: 7510014490

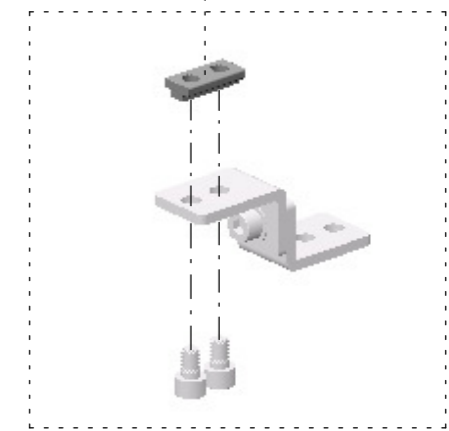
Control Module Connector (6-pole)  
P/N: 4510140125



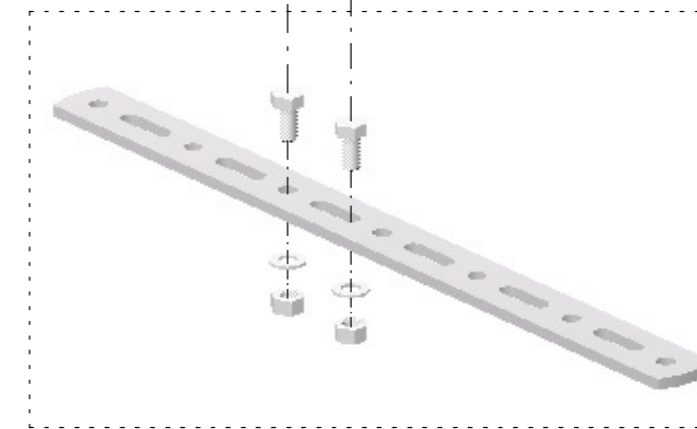
Bar ThunderION



Mounting Bracket  
Standard delivered with Bar  
P/N: 7510900157



Optional Mounting Bracket  
(stainless steel)  
P/N: 4510900150



Optional  
Mounting strip  
P/N: 4524485100

ThunderION Available effective lengths:		
250mm	1625mm	3000mm
375mm	1750mm	3125mm
500mm	1875mm	3250mm
625mm	2000mm	3375mm
750mm	2125mm	3500mm
875mm	2250mm	3625mm
1000mm	2375mm	3750mm
1125mm	2500mm	3875mm
1250mm	2625mm	4000mm
1375mm	2750mm	
1500mm	2875mm	

DIN RAIL Power Supply		
no.	max. number Bars	Tot. length of bars
1	6	24m
2	2	8m
3	2	6m