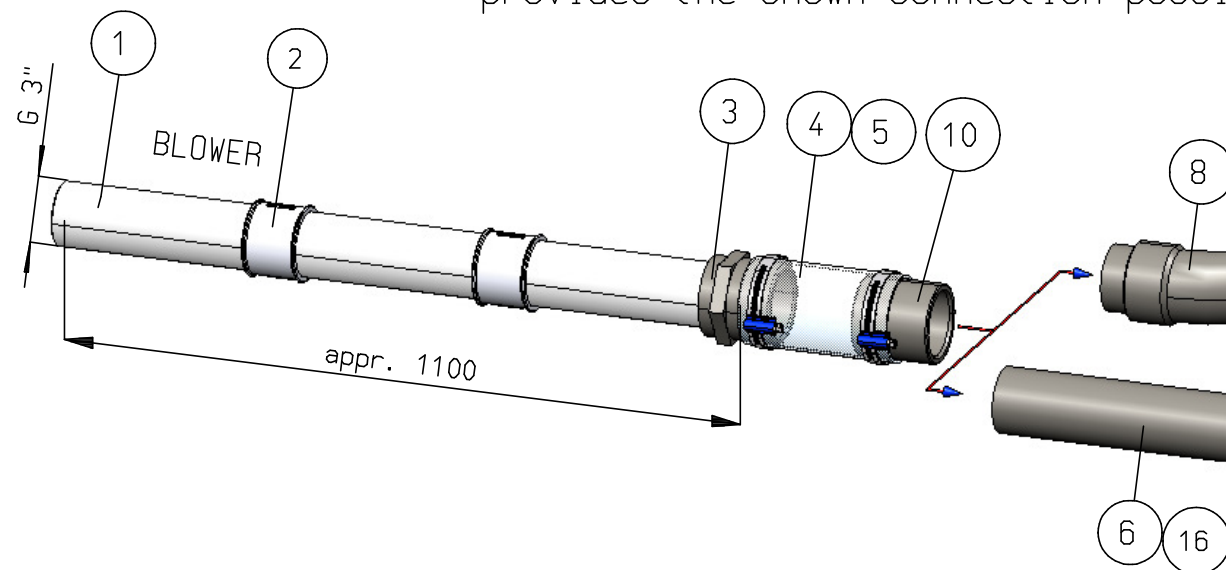


Parts list

No.	Qa.	Part No.	Description	Dwg. No.
1	3	9299143005	Pipe nipple 3''x300mm	
2	2	9290060155	Socket female 3''	-
3	1	9290641030	Adaptor, socket, PVC 90-3''	
4	0,3 m	6703471110	Hose ø110mm	
5	2	9146070250	Hose clamp 104-138mm	
6	5 m	9850413861	PVC tube ø90 x 2,7	
7	2	9299150090	T-piece 45°, ID 90mm (PVC)	
8	5	9299111090	Bend 90°, with sockets 90mm	-
9	2	9299102090	Bend 45°, with sockets 90mm	
10	3 (2)	9299080090	Socket, ID 90mm	
11	3	9290201518	Reducer ø90 x ø75, PVC	
12	1 m	9850412227	PVC tube ø75 x 2,2mm	
13	1,5 m	6703471075	Hose ID ø75	
14	8 (6)	9146075080	Hose clip ø80 (left)	
16	1	9129900006	Glue (PVC) 0,5 L	

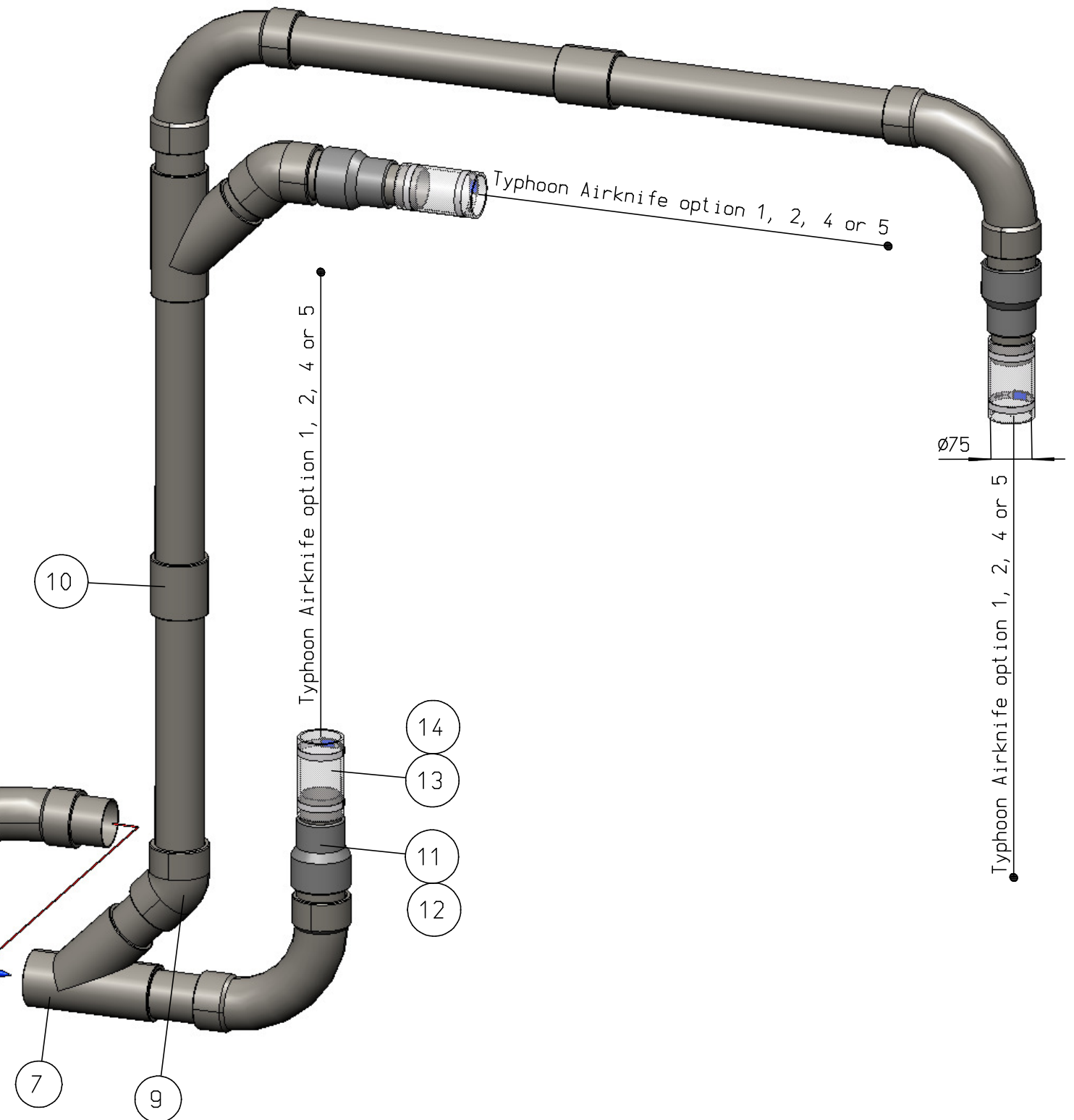
3 (2) means 3 delivered, 2 drawn

The items, shown in the part list, provides the shown connection possibilities.



NOTE 1: Use the number of pipe nipple as delivered.
Air at blower side will heat up,
therefore first iron ducting required.

NOTE 2: Keep the ducting as short as possible.
Use minimal quantity of bends and hose.
Every bend, joint, connector of system accessory
contributes a certain loss of pressure
(friction of moving air).



Roughness acc. to ISO 1302	Dimensions tolerated acc. to ISO 129	Tolerances of form and position acc. to ISO 1101	Dimensions in mm.	-	-	-	-	-	-				
SIMCO ION An ITW Company www.simco-ion.nl Tel: +31 (0)573 288333			(XX) Control dim. Copyright © SIMCO (Neder)and BV		Rev. Description					Chk.	Date		
					Range (mm)	0,5 - 3	>3 - 6	>6 - 30	>30 - 120	>120 - 315	>315 - 1000	>1000 - 2000	>2000 - 4000
					middle	±0,1	±0,1	±0,2	±0,3	±0,5	±0,8	±1,2	±2
					rough	±0,15	±0,2	±0,5	±0,8	±1,2	±2	±3	±4
Name: Ducting configuration 3-300-3" (appr. 8m)					Drawn: BSG		Part no.: 1485371040						
CAD GENERATED NOT AUTOMATICALLY UPDATED		Date: 7-3-2013	M: 1:10	A3	Check:		Dwg. no.: 14853740						