



# BlowION

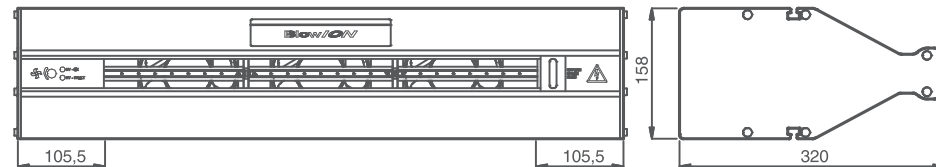
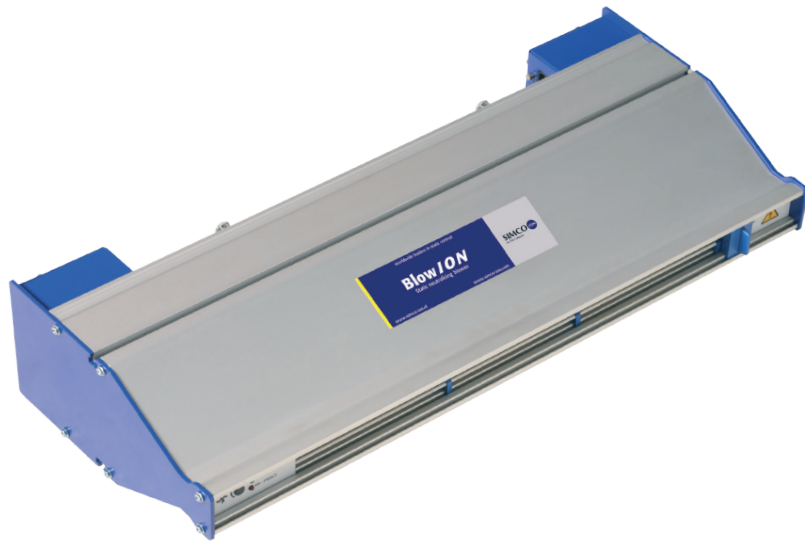
Plastics attract dust due to static electricity. The dust particles stick firmly to the surface, which makes it difficult to remove them. Due to their configuration, numerous plastic products have to be neutralized from a distance. For this purpose, SIMCO has developed ionising air blowers. The emitter points of the anti-static bar ionize the air which is blown towards the electrostatically charged object. The part is then neutralised by the ionized flow.

The BlowION ionizing air blower has been designed for multifunctional applications. It features an ergonomic, robust designed extruded anodized aluminum housing. The integrated fans and the intelligent positioning of an anti static bar and a high effective neutralizing technique to provide long range ionization over a large area. The patented built-in cleaner brush maintains the ionization production at optimum results by simply sliding from right to left. No HV wiring is required as the power supply is incorporated (only line cord).

The provided bolts (or optional Mounting hinges) warrant a simple installation and a quick Plug and Play of the unit. The BlowION is available in standard lengths from 520 mm effective length up to 1960 mm, in increments of 160 mm which covers most un- and rewinding applications.

## Features

- ⊕ Universal input voltage, 100- 240 V AC, 50/60 Hz
- ⊕ Modern, ergonomic robust design
- ⊕ Extruded anodized aluminum
- ⊕ Easy to install, plug and run
- ⊕ Power unit incorporated
- ⊕ Point cleaner brush incorporated (patented)
- ⊕ Full length mounting slots for easy installation
- ⊕ LED's indicating HV ok and HV fault
- ⊕ 520 - 1960 mm effective length
- ⊕ CE certified



Technical drawing BlowION

## Technical specifications

### Mechanical

Material housing	Anodized aluminium, coated steel
Size	158 (h) x 313 (w) x ... (l) mm
Weight	BI-520 = 11 kg *
Effective working width	10 different sizes available: BI-520, 680, 840, 1000, 1160, 1320, 1480, 1640, 1800 and 1960 mm
Ambient temperature	0- 50 °C
Noise level (at 100 cm distance)	BI-520 low speed 49 dB (A)* BI-520 high speed 60 dB (A)*
Air volume	BI 520: 750 m3/h*

\*Specifications for larger models upon request

### Electrical

Operating voltage	100-240 V AC
Current	Max. 3,5 A (In= 1,0 A at 230 V AC) (In= 2,0 A at 115 V AC)
Frequency	50 / 60 Hz
Cable	2 m, Euro-connector IEC-320-C14

### Options

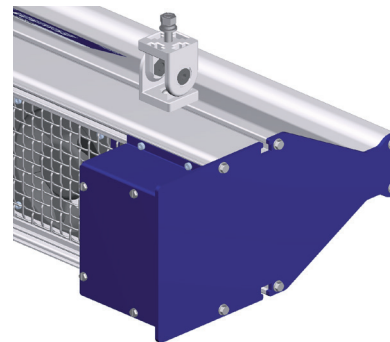
Filter	Open cell, 30 ppi (pores per inch)
Fan speed control	Variable

### Anti-static bar

Working distance	40 - 1000 mm * (see chart)
High Voltage circuit	Current limited, max. 0,7 mA from emitter point to earth



LED function indicators



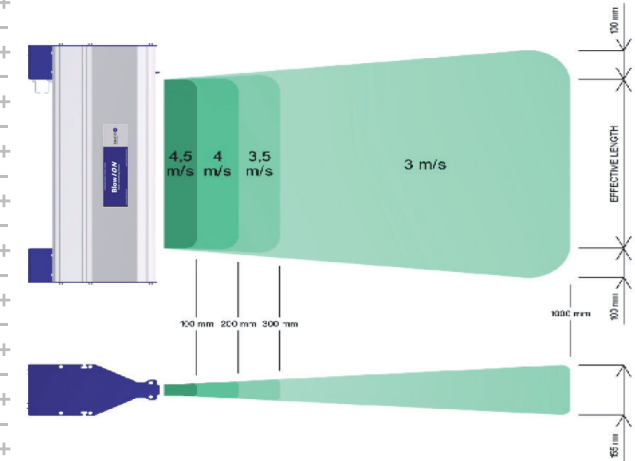
Optional mounting hinges for easy mounting on machineframes



Integrated HV point cleaner



Optional filter, ensures clean air impacts the target area



Airflow / speed and working distance

### Simco-Ion Netherlands

Postbus 71  
Lochem, The Netherlands NL-7240 AB  
Tel: +31 (0)573 288333  
Fax: +31 (0)573 257319  
general@simco-ion.nl  
www.simco-ion.nl